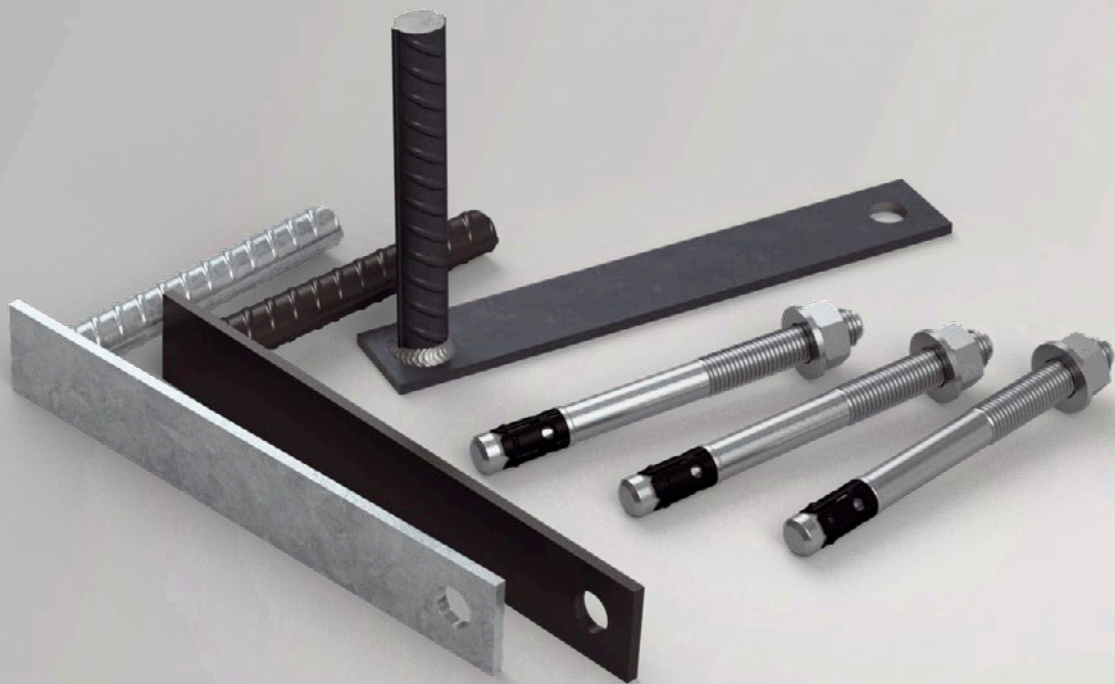


# Restraint dowel plate



VB3-V-013-en - 01/24 - PDF

Data sheet

# Our products from the division BUILDING SOLUTIONS

## SERVICES

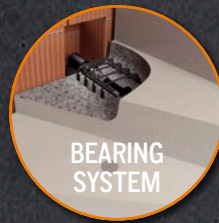
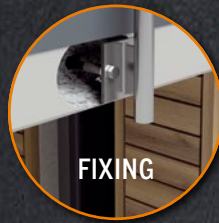
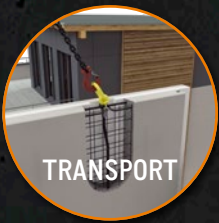
- » On-site tests -> we ensure that your requirements are properly covered by our planning.
- » Test reports -> for your safety and documentation.
- » Trainings -> the knowledge of your employees from planning and production is enhanced by our experts on site, online or via webinar.
- » Planning support -> latest design software, planning documents, CAD data and much more can be downloaded any time from [www.philipp-group.de](http://www.philipp-group.de).

## HIGH DEMANDS ON PRODUCT SAFETY AND PRACTICALITY

- » Close cooperation with notified bodies and - if necessary - approval of our solutions.

## TECHNICAL DEPARTMENT

- » Our expert-team will support you at any time during your planning phase with detailed advice.

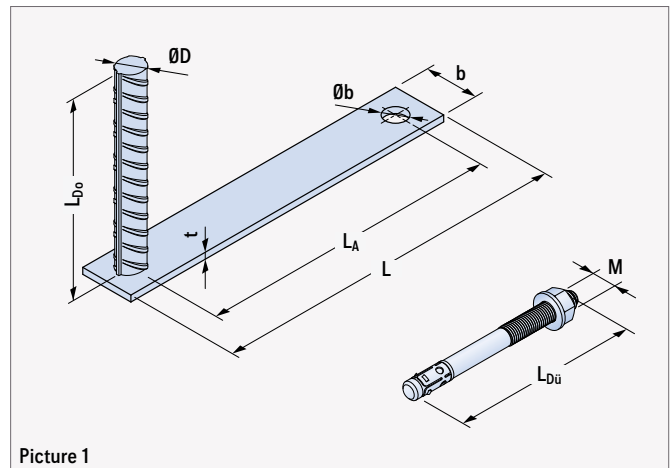


## GENERAL PRODUCT INFORMATION

The Restraint dowel plate is used to fix precast reinforced concrete elements to their position (e.g. panels on a foundation or ground slab). The system consists of a flat steel with a welded pin (reinforcement bar) and can be supplied with or without an approved dowel.

The Restraint dowel plate creates a horizontal constructive connection between two concrete elements. Before mounting the pin must be stuck into the concrete element to be secured (e.g. with the PHILIPP Rebar Pocket 72DH20) (picture 2). After the element is placed at the final position it can be fixed through the drill hole of the flat steel by a screwed fastening (picture 3).

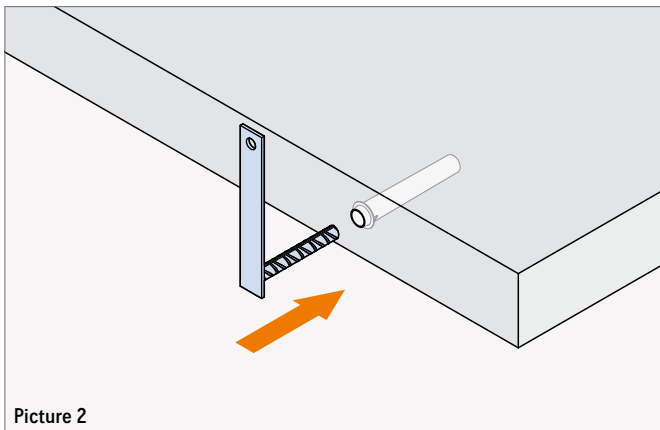
The dowel plate is available bright steel, hot-dip galvanised or primed (slight anti rust primer) version.



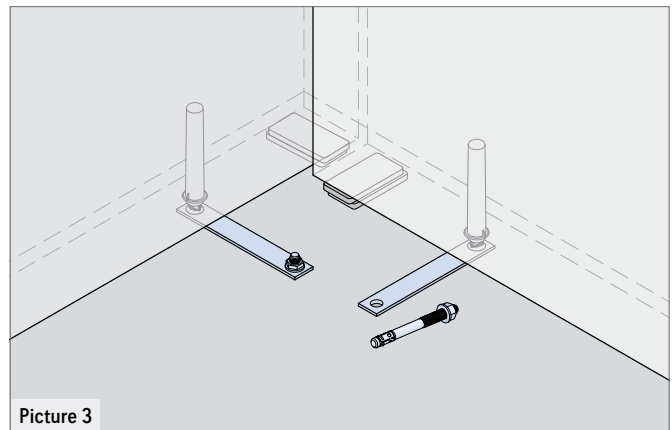
Picture 1

TABLE 1: DIMENSIONS RESTRAINT DOWEL PLATE

bright	Ref. no.		Dimensions									
	hot-dip galvanised	primed	L <sub>A</sub> (mm)	ØD (mm)	L <sub>D0</sub> (mm)	Øb (mm)	L (mm)	b (mm)	t (mm)	M	L <sub>Dü</sub> (mm)	
<b>1 × Restraint dowel plate + 1 × dowel</b>												
72LDS220	72LDS220FV	72LDS220GR	220	20	150	18	260	40	5	16	135	
<b>1 × Restraint dowel plate</b>												
72LD220	72LD220FV	72LD220GR	220	20	150	18	260	40	5	-	-	



Picture 2



Picture 3



### FURTHER QUESTIONS

If you have further questions, please have a look at our website [www.philipp-group.de](http://www.philipp-group.de) or call our technical department under +49 6021 40 27-318 resp. send an email to [technik@philipp-gruppe.de](mailto:technik@philipp-gruppe.de).



**PHILIPP GmbH  
Headquarters**

Lilienthalstraße 7-9  
63741 Aschaffenburg

+49 6021 40 27-0

info@philipp-gruppe.de

**PHILIPP GmbH  
Production and logistics**

Hauptstraße 204  
63814 Mainaschaff

+49 6021 40 27-0

info@philipp-gruppe.de

**PHILIPP GmbH  
Office Coswig**

Roßlauer Straße 70  
06869 Coswig/Anhalt

+49 34903 6 94-0

info@philipp-gruppe.de

**PHILIPP GmbH  
Office Neuss**

Sperberweg 37  
41468 Neuss

+49 2131 3 59 18-0

info@philipp-gruppe.de



**PHILIPP Vertriebs GmbH**

Pfaffing 36  
5760 Saalfelden / Salzburg

+43 6582 7 04 01

info@philipp-gruppe.at



Visit us!

[www.philipp-group.de](http://www.philipp-group.de)