

Wirbelstar



Application Instruction

Our products from the division BUILDING SOLUTIONS

SERVICES

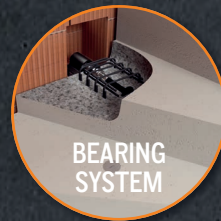
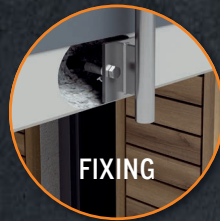
- » On-site tests -> we ensure that your requirements are properly covered by our planning.
- » Test reports -> for your safety and documentation.
- » Trainings -> the knowledge of your employees from planning and production is enhanced by our experts on site, online or via webinar.
- » Planning support -> latest design software, planning documents, CAD data and much more can be downloaded any time from www.philipp-group.de.

HIGH DEMANDS ON PRODUCT SAFETY AND PRACTICALITY

- » Close cooperation with notified bodies and - if necessary - approval of our solutions.

TECHNICAL DEPARTMENT

- » Our expert-team will support you at any time during your planning phase with detailed advice.



CONTENT

THE WIRBELSTAR	Page	4
Material	Page	4
Marking	Page	4
APPLICATION / SAFETY	Page	5
Safety notices	Page	5
REPLACEMENT CRITERIA	Page	6
INSPECTION	Page	7

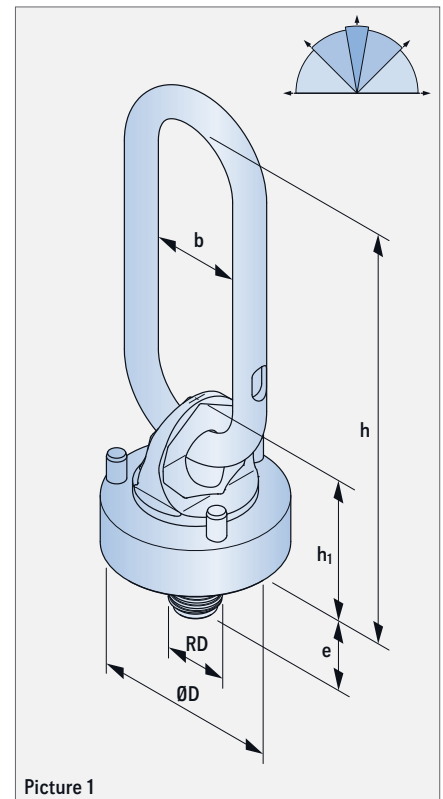
THE WIRBELSTAR

The Wirbelstar is part of the PHILIPP Transport anchor system and complies with the VDI/BV-BS Guideline "Lifting inserts and lifting systems for precast concrete elements" (VDI/BV-BS 6205). The use of the Wirbelstar requires the compliance with this Application Instruction, the Installation and Application Instruction of the particular threaded anchor as well as the General Installation Instruction. The Wirbelstar is suitable for axial, diagonal and lateral tension.

TABLE 1: PERMISSIBLE LOAD BEARING CAPACITIES AND DIMENSIONS

Ref. no. ①	Type	perm. F		Dimensions						Weight (kg/pc.)
		0°- 30° (kN)	0°- 90° (kN)	RD	ØD (mm)	b (mm)	h (mm)	e (mm)	h ₁ (mm)	
62WS12	RD 12	5.0	5.0	12	47	35	125	18	52	0.50
62WS16	RD 16	12.0	12.0	16	56	35	151	23	53	0.66
62WS20	RD 20	20.0	20.0	20	70	60	158	29	76	1.54
62WS24	RD 24	25.0	25.0	24	74	75	186	34	81	2.10
62WS30	RD 30	40.0	40.0	30	90	90	219	43	96	3.73
62WS36	RD 36	63.0	63.0	36	101	100	255	51	124	6.29
62WS42	RD 42	80.0	80.0	42	110	100	256	60	125	7.12
62WS52	RD 52	125.0	125.0	52	130	140	344	73	157	15.30
62WS56	RD 56	150.0	125.0	56	150	140	350	72	162	17.30
62WS60	RD 60	200.0	125.0	60	150	140	350	78	162	17.43

① Also available with M thread (ref. no. 62WS__M)
- The weight of 1.0 t corresponds to 10.0 kN.



Picture 1

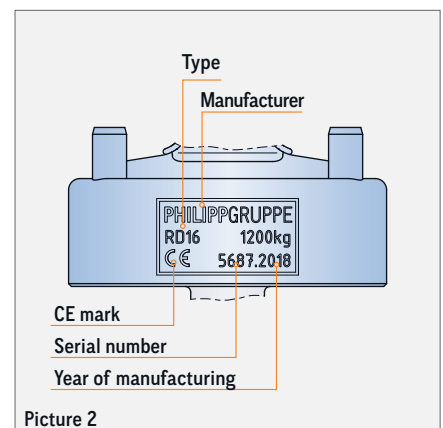
MATERIAL

The Wirbelstar consists of a forged ring bolt with a chain link and a rotatable hinged bottom part.

MARKING

The Wirbelstar is marked as follows:

- » Manufacturer
- » Type (system / load class)
- » CE mark
- » Serial number
- » Year of manufacturing



Picture 2

EC DECLARATION OF CONFORMITY (DOC)

The EC Declaration of Conformity (DoC) of the Wirbelstar can be downloaded from our website www.philipp-group.de or is available on request.



APPLICATION / SAFETY

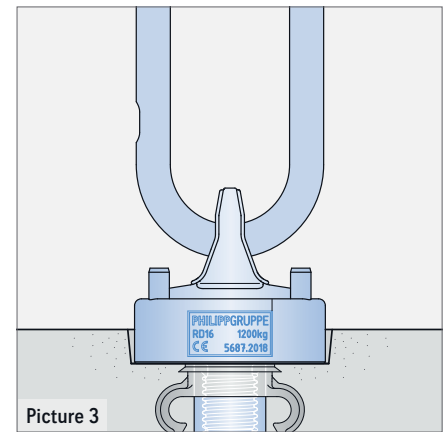
APPLICATION

The Wirbelstar is a lifting device of the threaded transport anchor system and is supplied with a round thread (with metric pitch) or metric thread. The Wirbelstar must be screwed in until the bottom part of the Wirbelstar has continuous contact with the concrete surface. This is very important because during lifting the Wirbelstar is supported by this concrete area and a spalling is largely prevented (picture 3).

The chain link is used to tighten or loose the Wirbelstar. For this the chain link must be pulled through the ring bolt that its recess fits in 90° to one of the three pins located at the circumference of the Wirbelstar (picture 4). This creates an efficient lever arm which enables a convenient tightening and removing (without a tool).

The Wirbelstar can only be used with full-surface contact to the concrete surface or with the appropriate recess formers:

- » Plastic: 72KHN36WS - 72KHN52WS
- » Steel: 72SAT12K - 72SA60K
- » Magnetic: 72SATM12K - 72SATM52K



WARNING!

A use of inadmissible recess formers can lead to a reduction of the bearing capacity and to the failure of the Wirbelstar or the transport anchor.



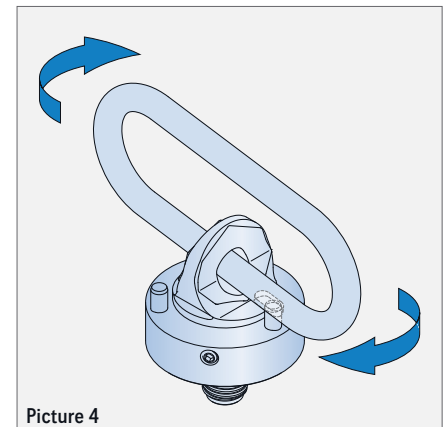
APPLICATION INSTRUCTION

The Application Instruction for the WS system is to be considered!



PLEASE NOTE!

Because of its ball-bearing the hanger moves, even after achievement of the nominal load bearing, itself into the right force direction without removing of the bottom part of the Wirbelstar. Therefore, the Wirbelstar is a perfect solution for tilt-up of horizontal manufactured panels.



WELDING

Welding or other strong heat influences on the Wirbelstar are not allowed.



NOTE!

The continued use of damaged lifting devices or equipment already met the discard criteria is not permitted!

SAFETY NOTICE

As each other lifting equipment and lifting device the Wirbelstar is subject to an annual inspection (acc. to German DGUV regulation 109-017. para. 8.2). This inspection has to be done by an expert and lies within the responsibility of the owner. Depending on the working conditions the inspections might be necessary in a shorter interval instead of only once a year. This might be caused by frequent use, increased wear, corrosion or heat treatment.

The Wirbelstar is designed in a special way that no maintenance is necessary. Because of its ball-bearing a penetration of dirt can be largely excluded. In general, attention must be paid to the current accident prevention regulations. The correct hook size and form should be considered in order to extend the durability.

If it is determined during application or an inspection, that the chain link and the bottom part twist heavily against each other, the Wirbelstar must be repaired by PHILIPP.

If the Wirbelstar is loaded with extreme loads (e.g. by an event causing damage) which may have influenced the bearing capacity it must be examined extraordinarily by an expert. The criteria are given in section „Replacement criteria“ and „Inspection“.



USE OF ONLY ONE LIFTING DEVICE

Using only one Wirbelstar in order to lift concrete elements attention must be paid that the Wirbelstar is protected against unscrewing (e.g. by using a guy or guide rope at the concrete element).

REPLACEMENT CRITERIA

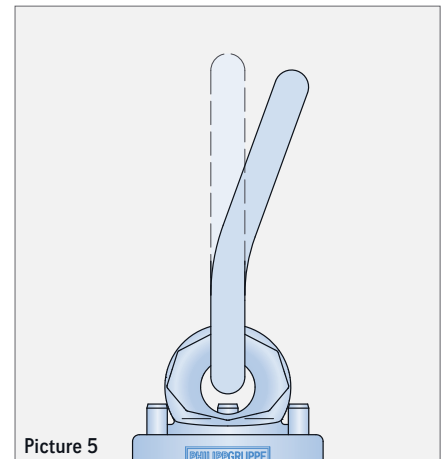
The replacement state of the Wirbelstar follows the German regulation DGUV 109-017, para. 8.4. Prior inspection the Wirbelstar must be cleaned. During inspection the following points have to be considered. If one is fulfilled the Wirbelstar has reached its replacement state and must not be used any more.

- » Breakage of chain link
- » Deformation of chain link (picture 5)
- » Pressure marks on chain link caused by rigging hardware
- » Cracks or the capacity reducing corrosion pits
- » Deformation of the threaded bolt
- » Damaged thread
- » Welding or other strong heat influences
- » Marking not readable anymore
- » Exceeding of upper or lower test dimensions (table 2 and 3)

The chain link shall be checked both for any elongation and taper of the diameter (picture 6). The replacement state is reached if the elongation of the chain link reached 5 % or the diameter of the link is reduced by 10 % (table 2).

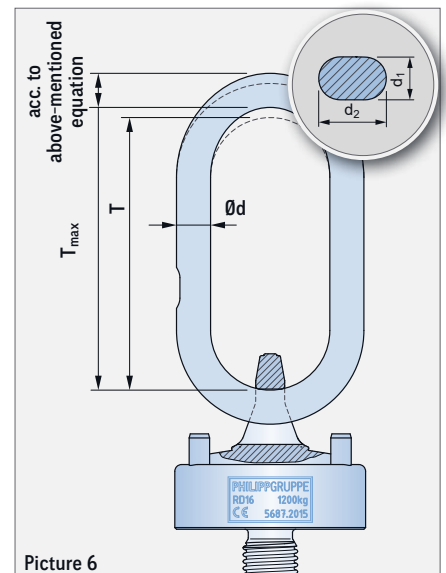
TABLE 2: TEST DIMENSIONS OF THE CHAIN LINK

Load class	T (mm)	T _{max} (mm)	Ød (mm)	d _{min} (mm)
12	85	89	10	9.0
16	110	116	10	9.0
20	102	107	16	14.4
24	125	131	18	16.2
30	148	155	22	19.8
36	160	168	26	23.4
42	160	168	26	23.4
52	220	231	36	32.4
56	220	231	36	32.4
60	220	231	36	32.4



Picture 5

$$\frac{d_1 + d_2}{2} > d_{\min}$$



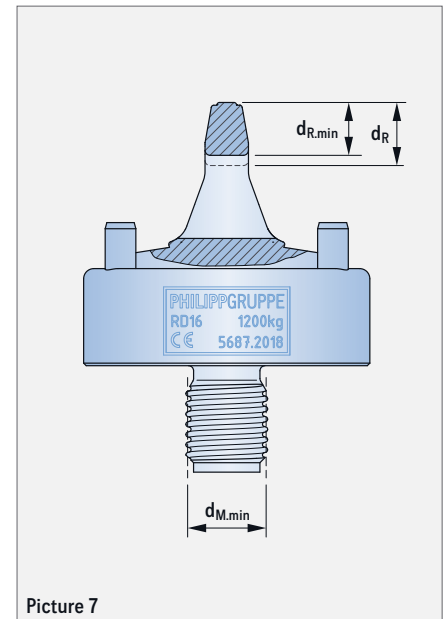
Picture 6

INSPECTION

During the inspection of the ring bolt, the wear of the bolt diameter shall be checked. The replacement state for this part is reached when the forged ring bolt has a diminution of 10 % (picture 7 and table 3). The outer diameter of the thread must also be checked acc. to picture 7 and table 3.

TABLE 3: TEST DIMENSIONS OF THE RING BOLT

Load class	$d_{M,min}$ (mm)	d_R (mm)	$d_{R,min}$ (mm)
12	11.50	10.0	9.0
16	15.45	10.0	9.0
20	19.40	17.0	15.3
24	23.40	17.0	15.3
30	29.40	22.0	19.8
36	35.40	28.0	25.2
42	41.20	28.0	25.2
52	51.20	30.0	27.0
56	55.20	30.0	27.0
60	59.20	30.0	27.0



HEADQUARTERS

Lilienthalstraße 7-9
63741 Aschaffenburg
☎ +49 6021 40 27-0
✉ info@philipp-gruppe.de

PRODUCTION AND LOGISTICS

Hauptstraße 204
63814 Mainaschaff
☎ +49 6021 40 27-0
✉ info@philipp-gruppe.de

OFFICE COSWIG

Roßlauer Straße 70
06869 Coswig / Anhalt
☎ +49 34903 6 94-0
✉ info@philipp-gruppe.de

OFFICE NEUSS

Sperberweg 37
41468 Neuss
☎ +49 2131 3 59 18-0
✉ info@philipp-gruppe.de

OFFICE TANNHEIM

Robert-Bosch-Weg 12
88459 Tannheim / Allgäu
☎ +49 8395 8 13 35-0
✉ info@philipp-gruppe.de

PHILIPP VERTRIEBS GMBH

Pfaffing 36
5760 Saalfelden / Salzburg
☎ +43 6582 7 04 01
✉ info@philipp-gruppe.at



HEADQUARTERS Aschaffenburg



Visit us! www.philipp-group.de