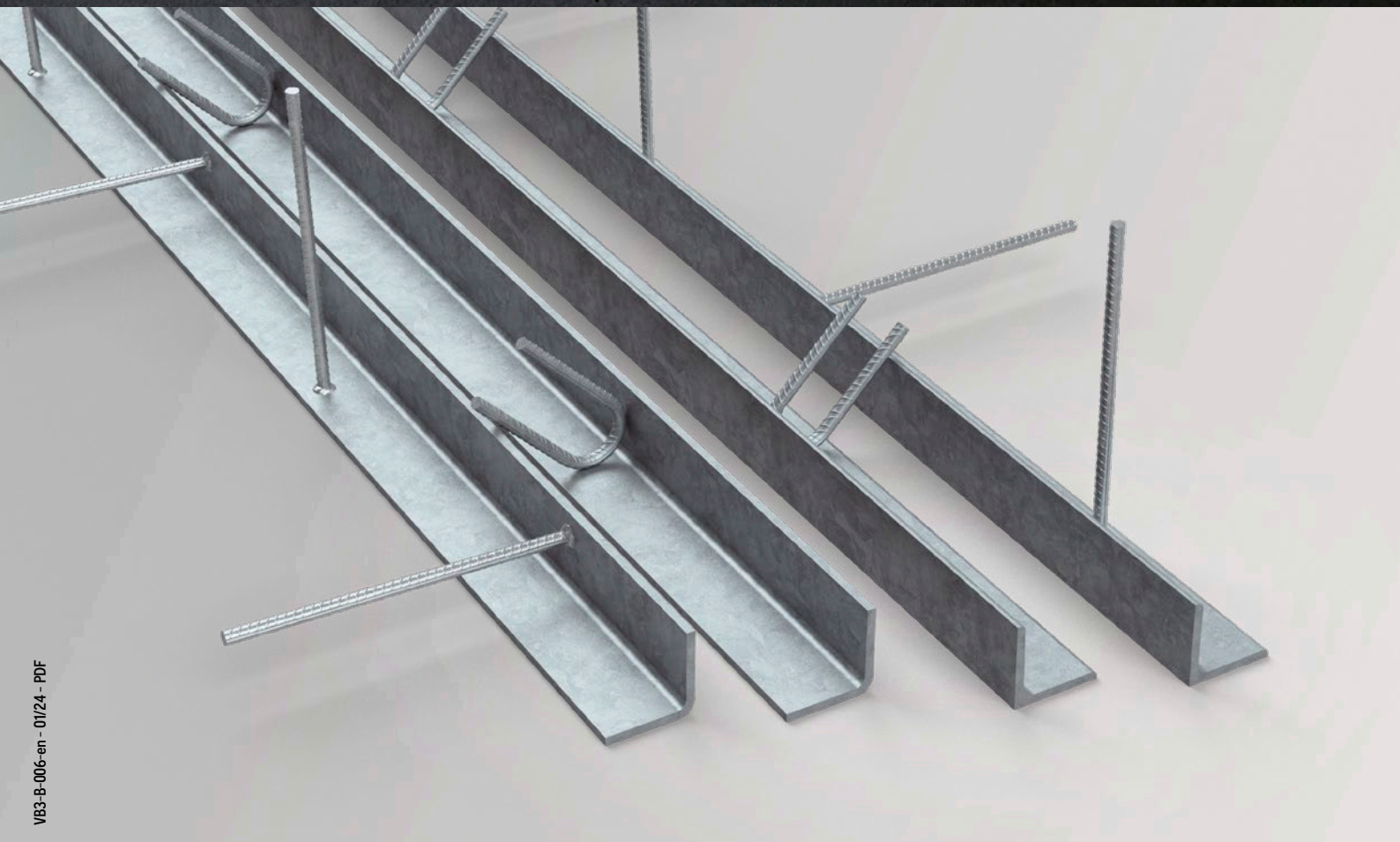


Corner guard



VB3-B-006-en - 01/24 - PDF

Data sheet

Our products from the division BUILDING SOLUTIONS

SERVICES

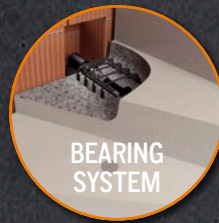
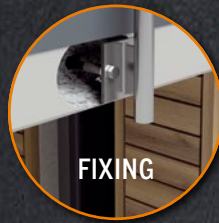
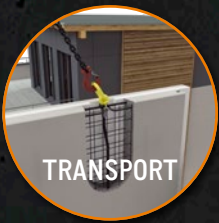
- » On-site tests -> we ensure that your requirements are properly covered by our planning.
- » Test reports -> for your safety and documentation.
- » Trainings -> the knowledge of your employees from planning and production is enhanced by our experts on site, online or via webinar.
- » Planning support -> latest design software, planning documents, CAD data and much more can be downloaded any time from www.philipp-group.de.

HIGH DEMANDS ON PRODUCT SAFETY AND PRACTICALITY

- » Close cooperation with notified bodies and - if necessary - approval of our solutions.

TECHNICAL DEPARTMENT

- » Our expert-team will support you at any time during your planning phase with detailed advice.

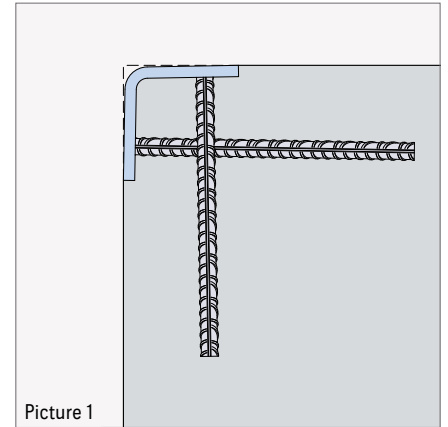


PHILIPP CORNER GUARD

The PHILIPP Corner guard for prefabricated building is used as an edge protection for e.g. columns and panels in industrial buildings, hospitals, parking garages etc. and thus prevents damages to the concrete caused by impact of e.g. vehicles.

The Corner guard can be supplied with different angle and reinforcement types so that it meets different requirements. A 92° fold of the profiles guarantees a perfect fit to the mould and a perfect concrete surface, too.

The Corner guard is available in hot-dip galvanised steel as well as in stainless steel SS304 or SS316. Supplied as ready-to-install including welded reinforcement.

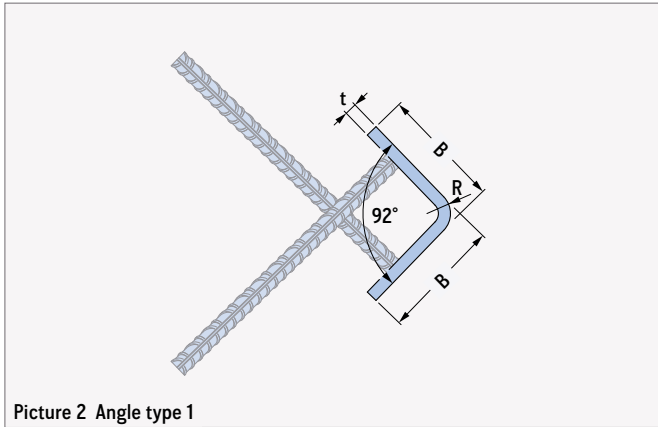


Picture 1

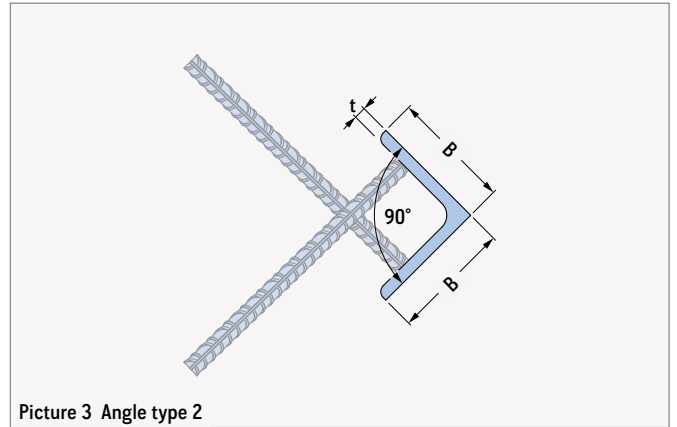
ANGLE	Type 1	Type 2
<p>82KSW 1 A 050 1500 FV</p> <p>FV - hot-dip galvanised A4 - stainless steel SS316 A2 - stainless steel SS304</p>		
REINFORCEMENT	Type A	Type B

PHILIPP Corner guard

DIMENSIONS



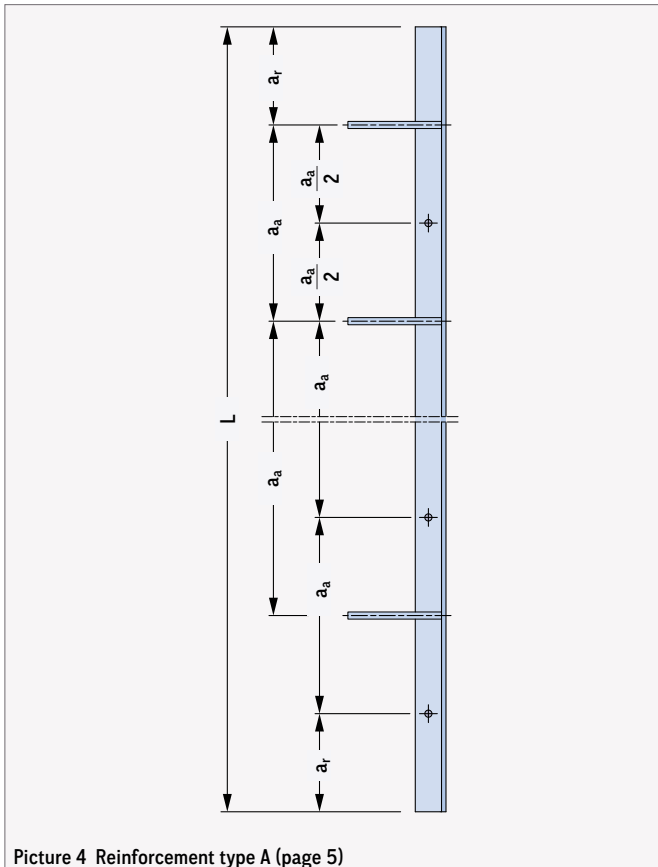
Picture 2 Angle type 1



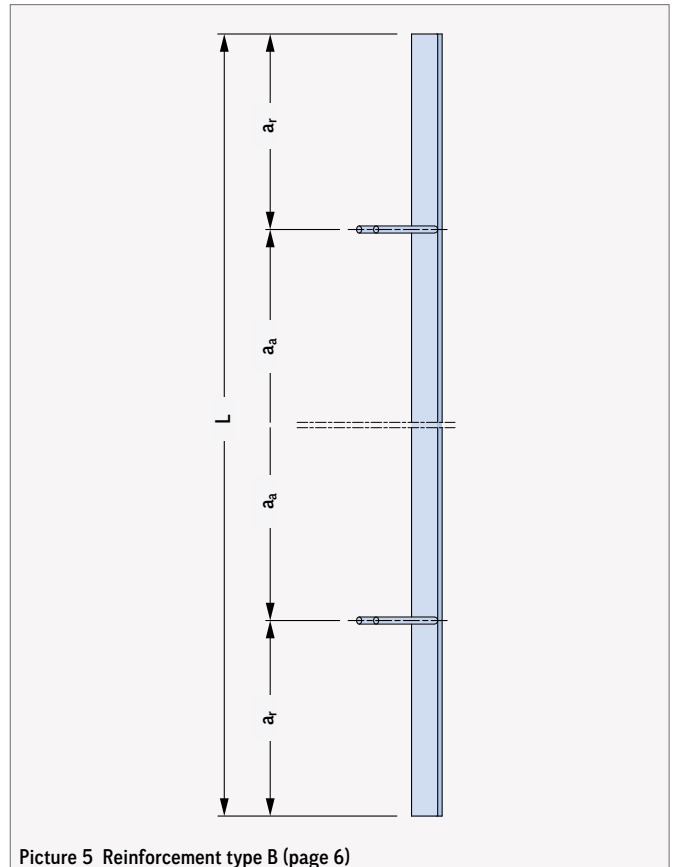
Picture 3 Angle type 2

TABLE 1: DIMENSIONS OF THE ANGLE

Ref. no.	B (mm)	t (mm)	L (mm)	R (mm)
82KSW1_050 ____	50	5	1000 / 1500 / 2000	10
82KSW1_060 ____	60	6	1000 / 1500 / 2000	12
82KSW1_080 ____	80	6	1000 / 1500 / 2000	12
82KSW1_100 ____	100	8	1000 / 1500 / 2000	16
82KSW2_050 ____	50	5	1000 / 1500 / 2000	-
82KSW2_060 ____	60	6	1000 / 1500 / 2000	-
82KSW2_080 ____	80	8	1000 / 1500 / 2000	-
82KSW2_100 ____	100	8	1000 / 1500 / 2000	-



Picture 4 Reinforcement type A (page 5)



Picture 5 Reinforcement type B (page 6)

CORNER GUARD TYPE 1A / 2A

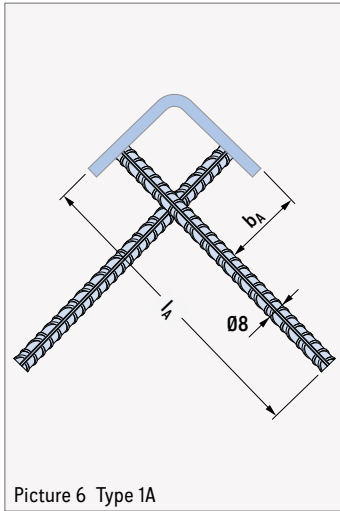


TABLE 2: CORNER GUARD TYPE 1A

Ref. no.	Angle Type 1	L (mm)	l _A (mm)	b _A (mm)	a _r (mm)	a _a (mm)	Anchor (pcs.)
82KSW1A0501000__	50×5	1000	195	31	250	500	4
82KSW1A0501500__		1500	195	31	250	500	6
82KSW1A0502000__		2000	195	31	250	500	8
82KSW1A0601000__	60×6	1000	196	38	250	500	4
82KSW1A0601500__		1500	196	38	250	500	6
82KSW1A0602000__		2000	196	38	250	500	8
82KSW1A0801000__	80×6	1000	196	59	250	500	4
82KSW1A0801500__		1500	196	59	250	500	6
82KSW1A0802000__		2000	196	59	250	500	8
82KSW1A1001000__	100×8	1000	198	81	250	500	4
82KSW1A1001500__		1500	198	81	250	500	6
82KSW1A1002000__		2000	198	81	250	500	8

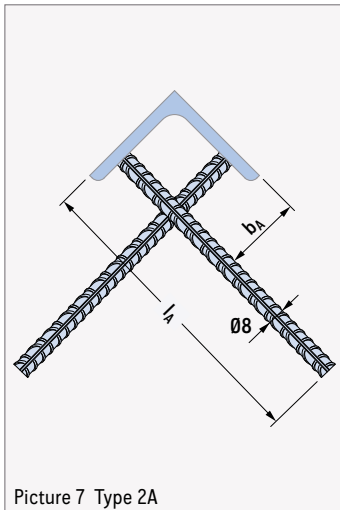


TABLE 3: CORNER GUARD TYPE 2A

Ref. no.	Angle Type 1	L (mm)	l _A (mm)	b _A (mm)	a _r (mm)	a _a (mm)	Anchor (pcs.)
82KSW2A0501000__	50×5	1000	195	31	250	500	4
82KSW2A0501500__		1500	195	31	250	500	6
82KSW2A0502000__		2000	195	31	250	500	8
82KSW2A0601000__	60×6	1000	196	36	250	500	4
82KSW2A0601500__		1500	196	36	250	500	6
82KSW2A0602000__		2000	196	36	250	500	8
82KSW2A0801000__	80×8	1000	196	56	250	500	4
82KSW2A0801500__		1500	196	56	250	500	6
82KSW2A0802000__		2000	196	56	250	500	8
82KSW2A1001000__	100×8	1000	198	76	250	500	4
82KSW2A1001500__		1500	198	76	250	500	6
82KSW2A1002000__		2000	198	76	250	500	8

CORNER GUARD TYPE 1B / 2B

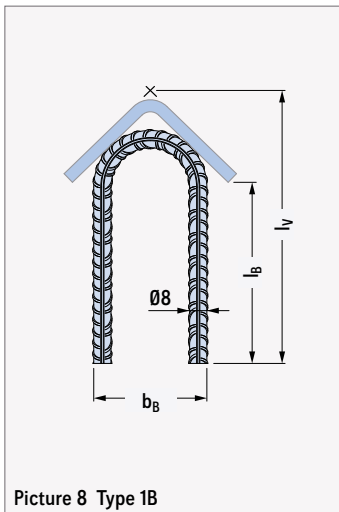


TABLE 4: CORNER GUARD TYPE 1B

Ref. no.	Angle Type 1	L (mm)	l _v (mm)	l _B (mm)	b _B (mm)	a _r (mm)	a _a (mm)	Anchor (pcs.)
82KSW1B0501000__	50×5	1000	113	75	48	250	500	2
82KSW1B0501500__		1500	113	75	48	250	500	3
82KSW1B0502000__		2000	113	75	48	250	500	4
82KSW1B0601000__	60×6	1000	114	68	48	250	500	2
82KSW1B0601500__		1500	114	68	48	250	500	3
82KSW1B0602000__		2000	114	68	48	250	500	4
82KSW1B0801000__	80×6	1000	160	100	48	250	500	2
82KSW1B0801500__		1500	160	100	48	250	500	3
82KSW1B0802000__		2000	160	100	48	250	500	4
82KSW1B1001000__	100×8	1000	163	86	48	250	500	2
82KSW1B1001500__		1500	163	86	48	250	500	3
82KSW1B1002000__		2000	163	86	48	250	500	4

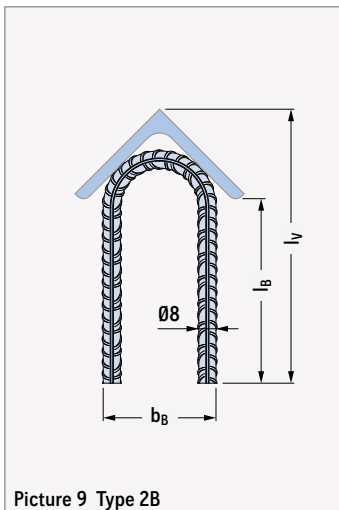


TABLE 5: CORNER GUARD TYPE 2B

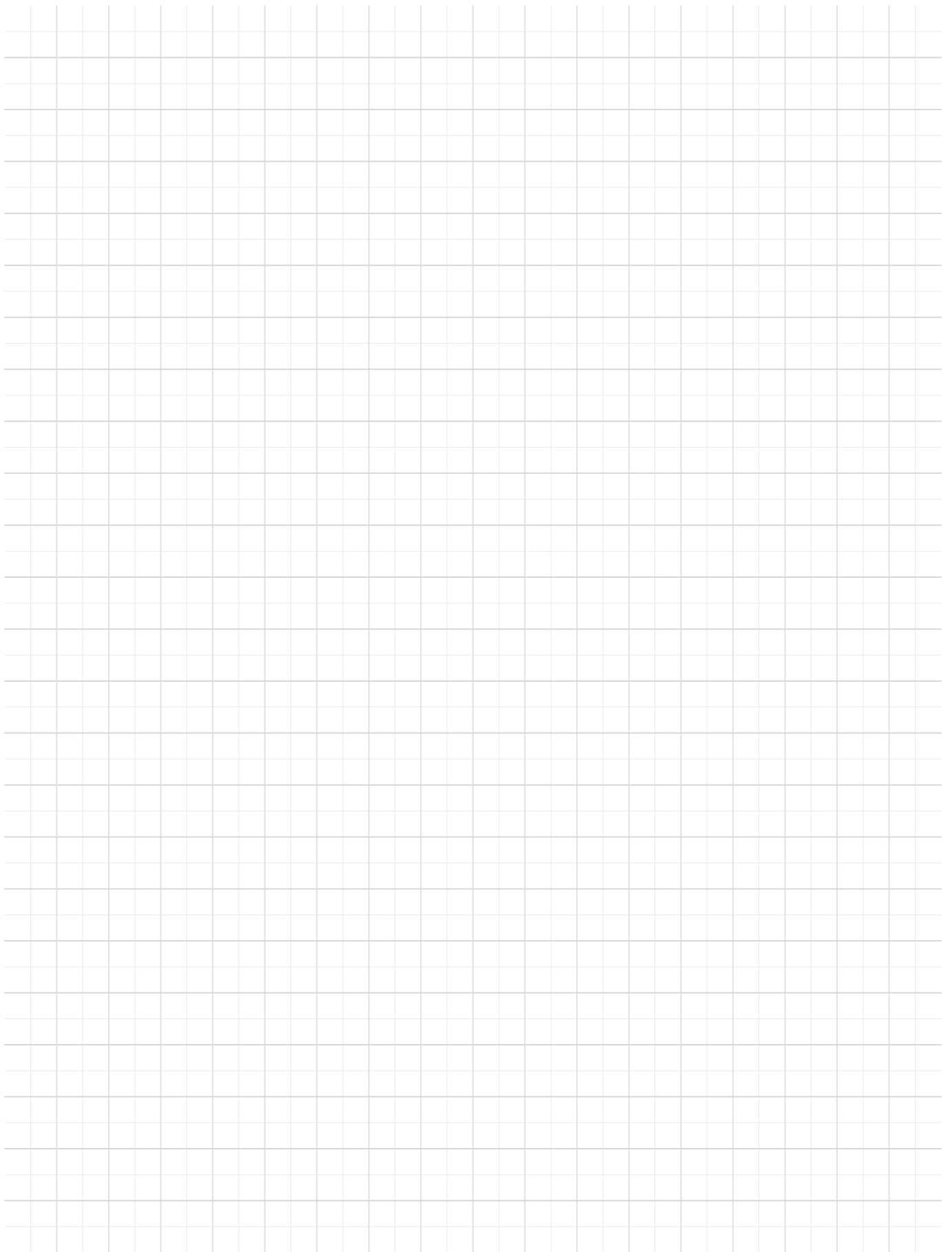
Ref. no.	Angle Type 1	L (mm)	l _v (mm)	l _B (mm)	b _B (mm)	a _r (mm)	a _a (mm)	Anchor (pcs.)
82KSW2B0501000__	50×5	1000	114	76	48	250	500	2
82KSW2B0501500__		1500	114	76	48	250	500	3
82KSW2B0502000__		2000	114	76	48	250	500	4
82KSW2B0601000__	60×6	1000	115	69	48	250	500	2
82KSW2B0601500__		1500	115	69	48	250	500	3
82KSW2B0602000__		2000	115	69	48	250	500	4
82KSW2B0801000__	80×8	1000	161	101	48	250	500	2
82KSW2B0801500__		1500	161	101	48	250	500	3
82KSW2B0802000__		2000	161	101	48	250	500	4
82KSW2B1001000__	100×8	1000	164	88	48	250	500	2
82KSW2B1001500__		1500	164	88	48	250	500	3
82KSW2B1002000__		2000	164	88	48	250	500	4



FURTHER QUESTIONS

If you have further questions, please have a look at our website www.philipp-group.de or call our technical department under +49 6021 40 27-318 resp. send an email to technik@philipp-gruppe.de.

NOTES





**PHILIPP GmbH
Headquarters**

Lilienthalstraße 7-9
63741 Aschaffenburg

+49 6021 40 27-0

info@philipp-gruppe.de

**PHILIPP GmbH
Production and logistics**

Hauptstraße 204
63814 Mainaschaff

+49 6021 40 27-0

info@philipp-gruppe.de

**PHILIPP GmbH
Office Coswig**

Roßlauer Straße 70
06869 Coswig/Anhalt

+49 34903 6 94-0

info@philipp-gruppe.de

**PHILIPP GmbH
Office Neuss**

Sperberweg 37
41468 Neuss

+49 2131 3 59 18-0

info@philipp-gruppe.de



PHILIPP Vertriebs GmbH

Pfaffing 36
5760 Saalfelden / Salzburg

+43 6582 7 04 01

info@philipp-gruppe.at



Visit us!

www.philipp-group.de