

# PHILIPPGROUP

## PHILIPP Thread chaser



VB3-T-089-en - 01/21 - PDF

**Application Instruction**

## Transport and mounting systems for prefabricated building

### ■ Technical department

Our staff will be pleased to support your planning phase with suggestions for the installation and use of our transport and mounting systems for precast concrete construction.

### ■ Special designs

Customized to your particular needs.

### ■ Practical tests on site

We ensure that our concepts are tailored precisely to your requirements.

### ■ Inspection reports

For documentation purposes and your safety.

### ■ On-site service

Our engineers will be pleased to instruct your technicians and production personnel at your plant, to advise on the installation of precast concrete parts and to assist you in the optimisation of your production processes.

### ■ High safety level when using our products

Close cooperation with federal materials testing institutes (MTIs), and official approvals for the use of our products and solutions whenever necessary.

### ■ Software solutions

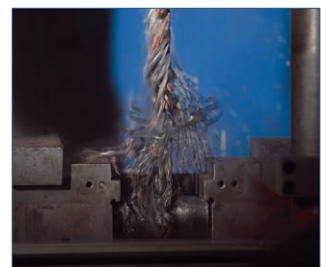
The latest design software, animated videos and CAD libraries can always be found under [www.philipp-gruppe.de](http://www.philipp-gruppe.de).

### ■ Engineering contact

Phone: +49 6021 4027-318  
Fax: +49 6021 4027-340  
E-mail: [technik@philipp-gruppe.de](mailto:technik@philipp-gruppe.de)

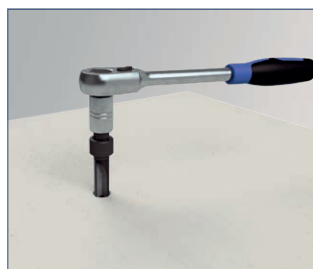
### ■ Sales contact

Phone: +49 6021 4027-300  
Fax: +49 6021 4027-340  
E-mail: [vertrieb@philipp-gruppe.de](mailto:vertrieb@philipp-gruppe.de)



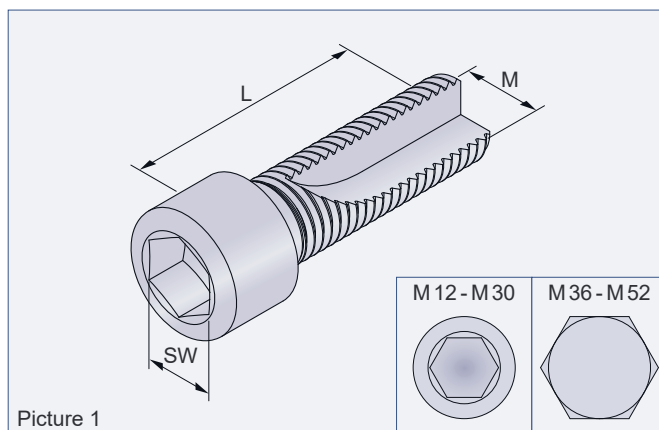
## Content

■ PHILIPP Thread chaser .....	Page	4
■ Dimensions .....	Page	4
■ Application .....	Page	5



## PHILIPP Thread chaser

The PHILIPP Thread chaser is used for cleaning dirty threads. It is made of a standard screw with a milled dirt groove. For cleaning threaded transport anchors with metric thread as well as RD threads (with metric pitch) this Thread chaser is suitable.

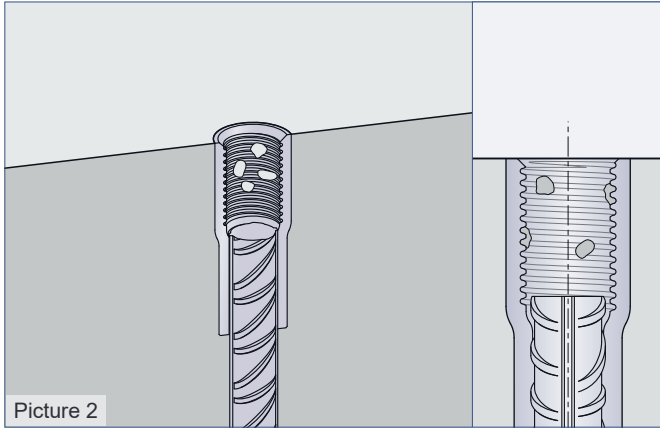


**Table 1: Dimensions**

Ref. no.	Type	Dimensions			
		M	L [mm]	Internal hexagon	Hexagon head
61NAS12	M 12	12	40	⊙ SW 10	-
61NAS14	M 14	14	50	⊙ SW 12	-
61NAS16	M 16	16	50	⊙ SW 14	-
61NAS18	M 18	18	50	⊙ SW 14	-
61NAS20	M 20	20	50	⊙ SW 17	-
61NAS24	M 24	24	65	⊙ SW 19	-
61NAS30	M 30	30	80	⊙ SW 22	-
61NAS36	M 36	36	90	-	⊙ SW 55
61NAS42	M 42	42	100	-	⊙ SW 65
61NAS52	M 52	52	150	-	⊙ SW 80

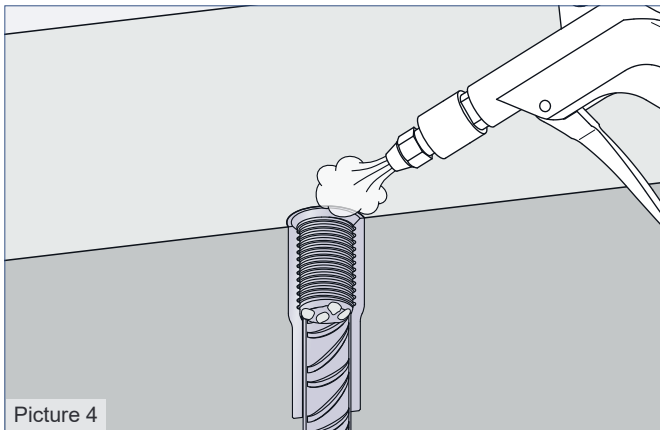
## Application

If the thread of the transport anchor becomes dirty (e.g. with cement slurry), it might be necessary to clean the thread before screwing in the actual lifting device.



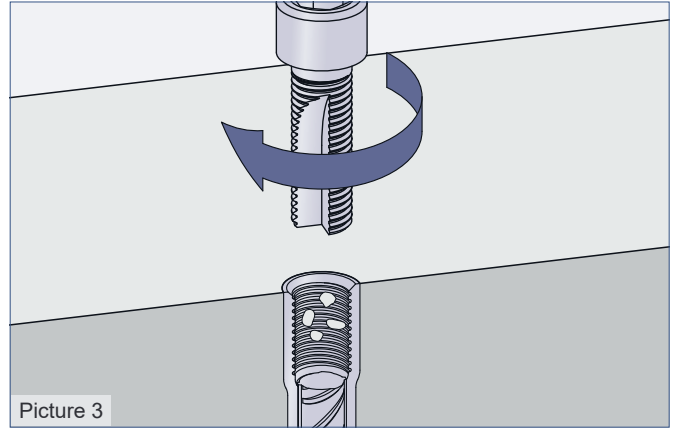
Picture 2

The loosened dirt is now to be removed from the threaded insert to ensure a complete screwing in of the lifting device.



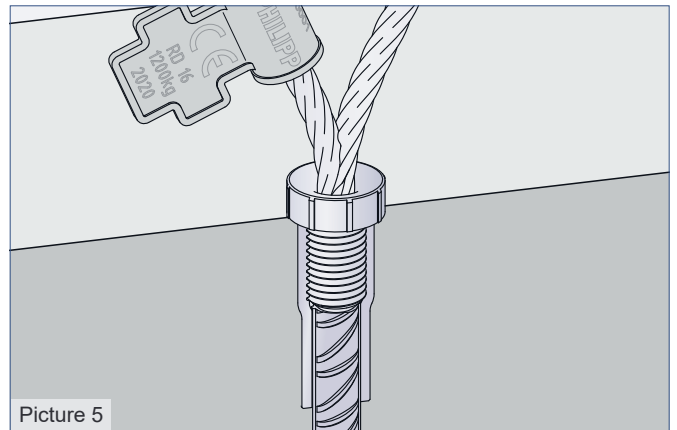
Picture 4

The Thread chaser is screwed into the dirty threaded insert. In this process, the dirt is loosened from the thread. In case of a very dirty insert, it might be necessary to repeat this procedure several times.



Picture 3

Now the lifting device for hoisting the precast concrete element can be screwed in. If the dirt cannot be removed from the thread completely, the use of a M-thread lifting device in a RD-insert might be necessary.



Picture 5

Our customers trust us to deliver.

We do everything in our power to reward their faith and we start each day intending to do better than the last. We provide strength and stability in an ever-changing world. We provide it support.

**Welcome to the PHILIPP Group**

Sustainable  
solutions

**PHILIPPGROUP**



**PHILIPP GmbH**

Lilienthalstrasse 7-9  
63741 Aschaffenu  
Phone: + 49 6021 40 27-0  
Fax: + 49 6021 40 27-440  
info@philipp-group.de

**PHILIPP GmbH**

Roßlauer Strasse 70  
D-06869 Coswig/Anhalt  
Phone: + 49 34903 6 94-0  
Fax: + 49 34903 6 94-20  
info@philipp-group.de

**PHILIPP GmbH**

Sperberweg 37  
41468 Neu  
Phone: + 49 2131 3 59 18-0  
Fax: + 49 2131 3 59 18-10  
info@philipp-group.de

**PHILIPP ACON Hydraulic GmbH**

Hinter dem grünen Jäger 3  
D-38836 Dardesheim  
Phone: + 49 39422 95 68-0  
Fax: + 49 39422 95 68-29  
info@philipp-group.de



**PHILIPP Vertriebs GmbH**

Leogangerstraße 21  
5760 Saalfelden / Salzburg  
Phone + 43 6582 7 04 01  
Fax + 43 6582 7 04 01 20  
info@philipp-gruppe.at

**For more information visit our website: [www.philipp-group.de](http://www.philipp-group.de)**